

WORLD MARKET®

Assembly Instructions

BUNDLE - ANDORRA L-SHAPE 5 PC KIT

SKU 999

- 1x BENCH
- 1x CORNER
- 1x COFFEE TABLE
- 1x OTTOMAN
- 1x RECTANGULAR COFFEE TABLE

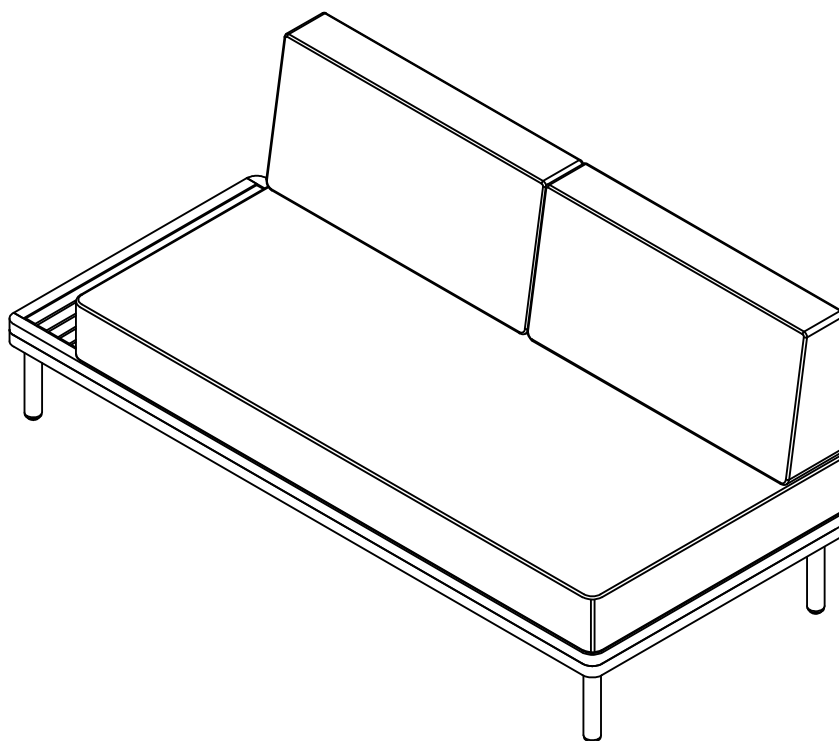
See following pages for individual
component assembly instructions

WORLD MARKET®

Assembly Instructions

Andorra Occ Bench

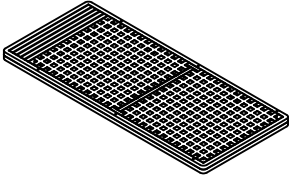
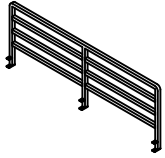


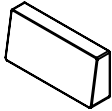
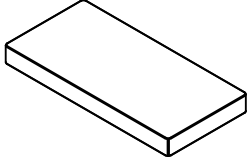

SKU 629621/629666








Thank you for your purchase. If you have any questions pertaining to the assembly of this furniture piece, please contact the nearest World Market store. If you are not near a store, please call our customer service call center toll free at 877-967-5362 for assistance.

ALL PRODUCTS SOLD AT WORLD MARKET ARE NOT
FOR COMMERCIAL USE AND ARE INTENDED FOR
RESIDENTIAL USE ONLY.

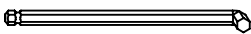
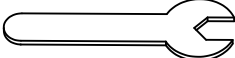
Component List

LABEL	PICTURE	DESCRIPTION	QTY
A		Seat Frame	1
B		Backrest Frame	1
C		Leg	4
D		Center Leg	1
E		Back Cushion	2
F		Seat Cushion	1
G		Strap Connector	2

Hardware List

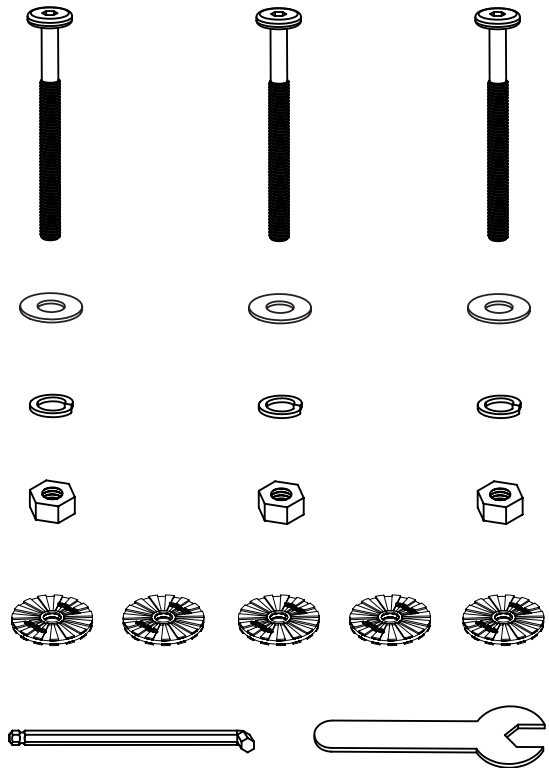
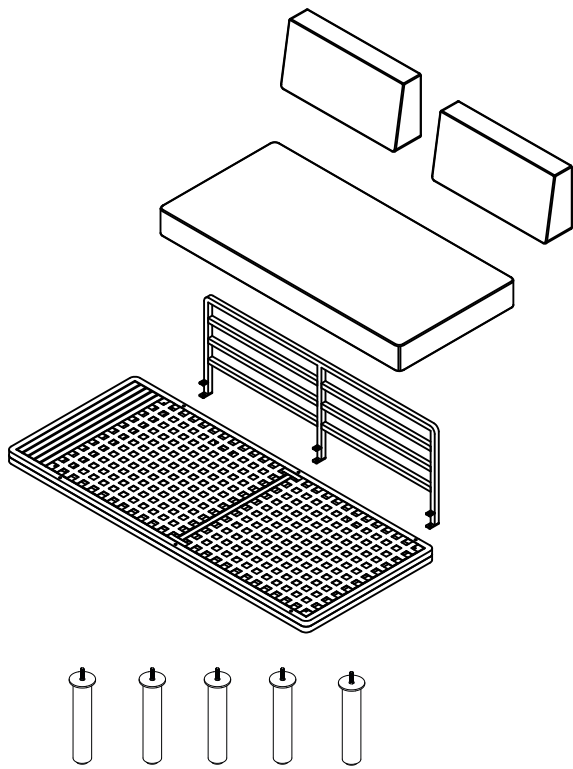
LABEL	PICTURE	DESCRIPTION	QTY
H-1		Allen Bolt (M8x80)mm	3
H-2		Flat Washer (M8x1.2)mm	3
H-3		Spring Washer M8	3
H-4		Hexagonal Nut M8	3
H-5		Plastic Flat Washer	5

Tool List

LABEL	PICTURE	DESCRIPTION	QTY
T-1		Allen Key	1
T-2		Wrench 13	1

Assembly Preparation

Before Beginning:



Unpack all hardware bags and components to ensure you have all parts. Take note of bolt hardware size differences and components that may have directional labels (Example: TOP or FRONT).



Read the assembly instructions, cover-to-cover. Save any **Care and Maintenance** instructions pages for after the assembly has been completed.



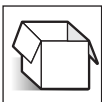
It is always recommended to have 2 adults on hand for assembly.



Do not assemble on hard, abrasive flooring or carpeted surfaces that can damage or get caught in the components during assembly.



Assemble on a clean non-marring surface (such as the product's packing foam).



Do not discard any packaging until the product has been fully assembled.



In case of missing parts, please contact your nearest World Market store or call our customer service call center at 1-877-967-5362.



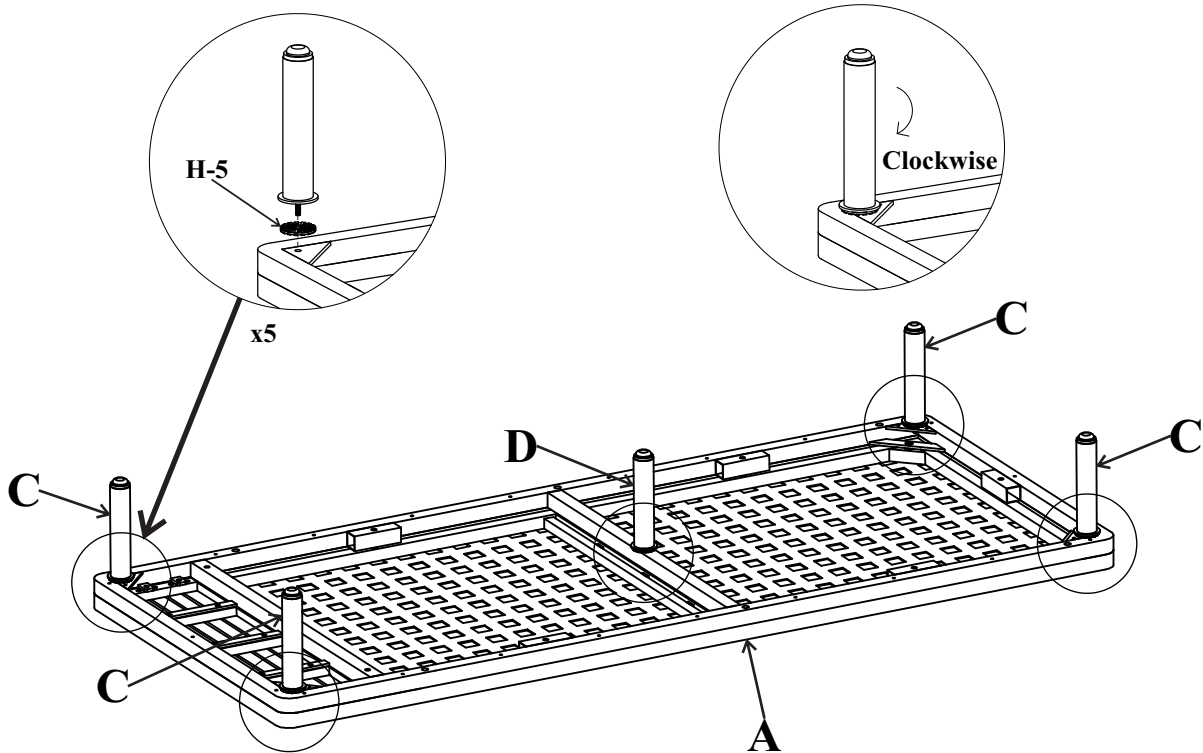
WARNING: Small parts are a choking hazard. Adult supervision is required before, during, and after assembly.

Assembly Steps

Step 1

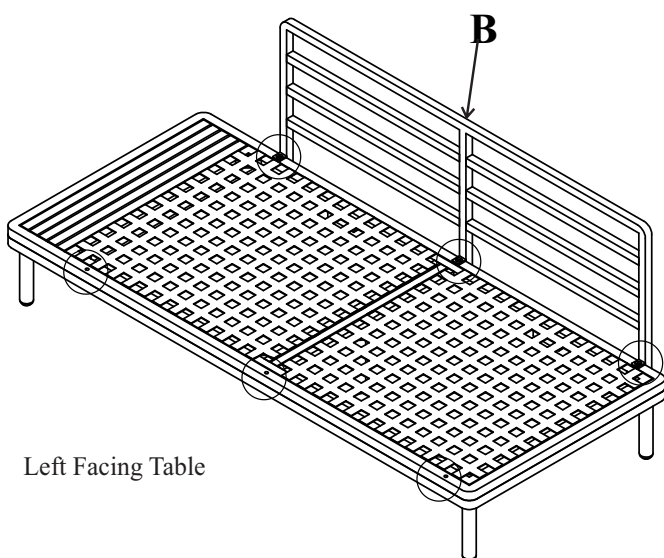


(H-5) Plastic Flat Washer x 5

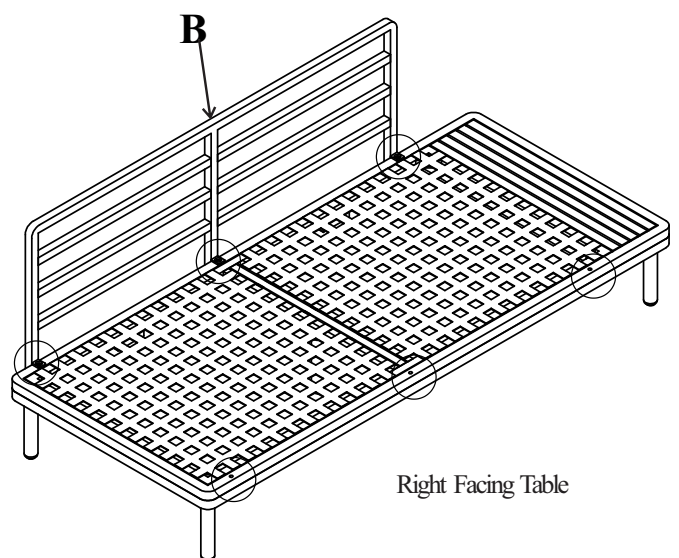


Using a second person to assist you, place Seat Frame (A) upside down onto a padded, non-marring surface. Position Center Leg (D) and the remaining corner Legs (C) on Seat Frame (A) as shown. Note, the Center Leg (D) is slightly shorter than Legs (C). Position the Plastic Flat Washers (H-5) between the legs and the seat frame and tighten by turning clockwise. **DO NOT OVER TIGHTEN.**

Step 2



Left Facing Table

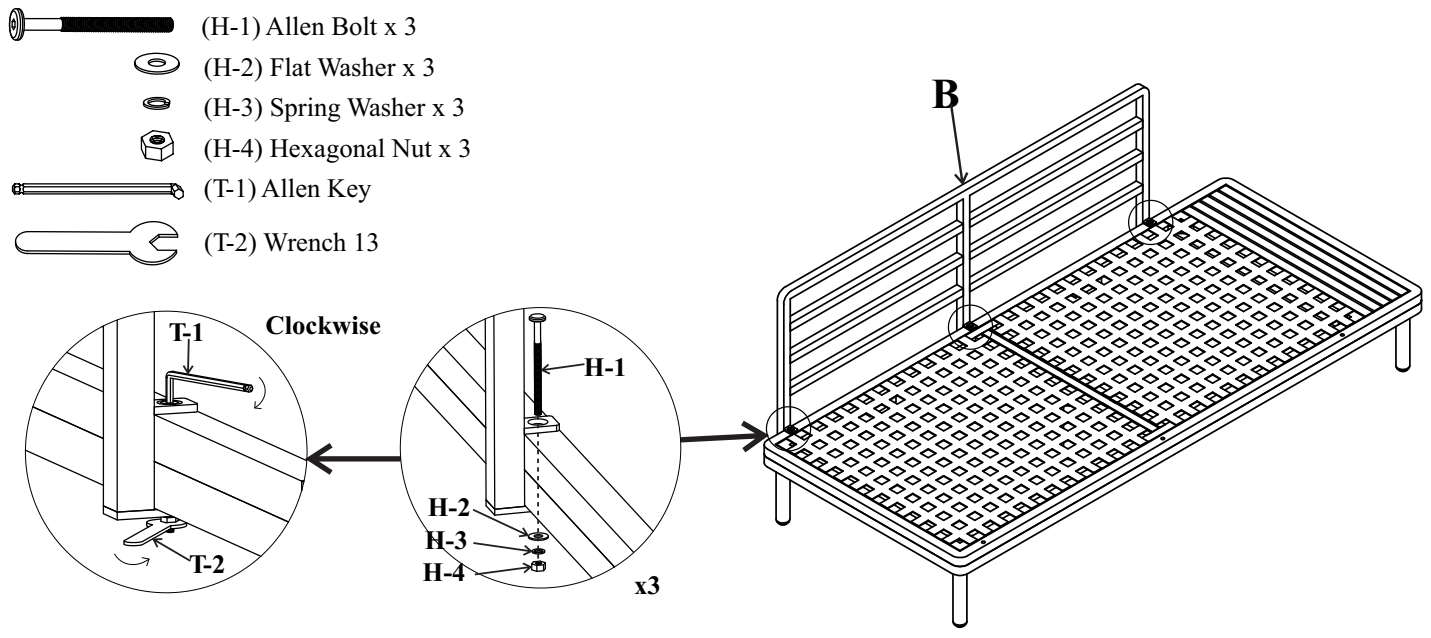


Right Facing Table

Each component of this collection is designed to be both left and right facing. There are two sets of holes that will accept the backrest. Be sure to decide on your desired orientation before proceeding.

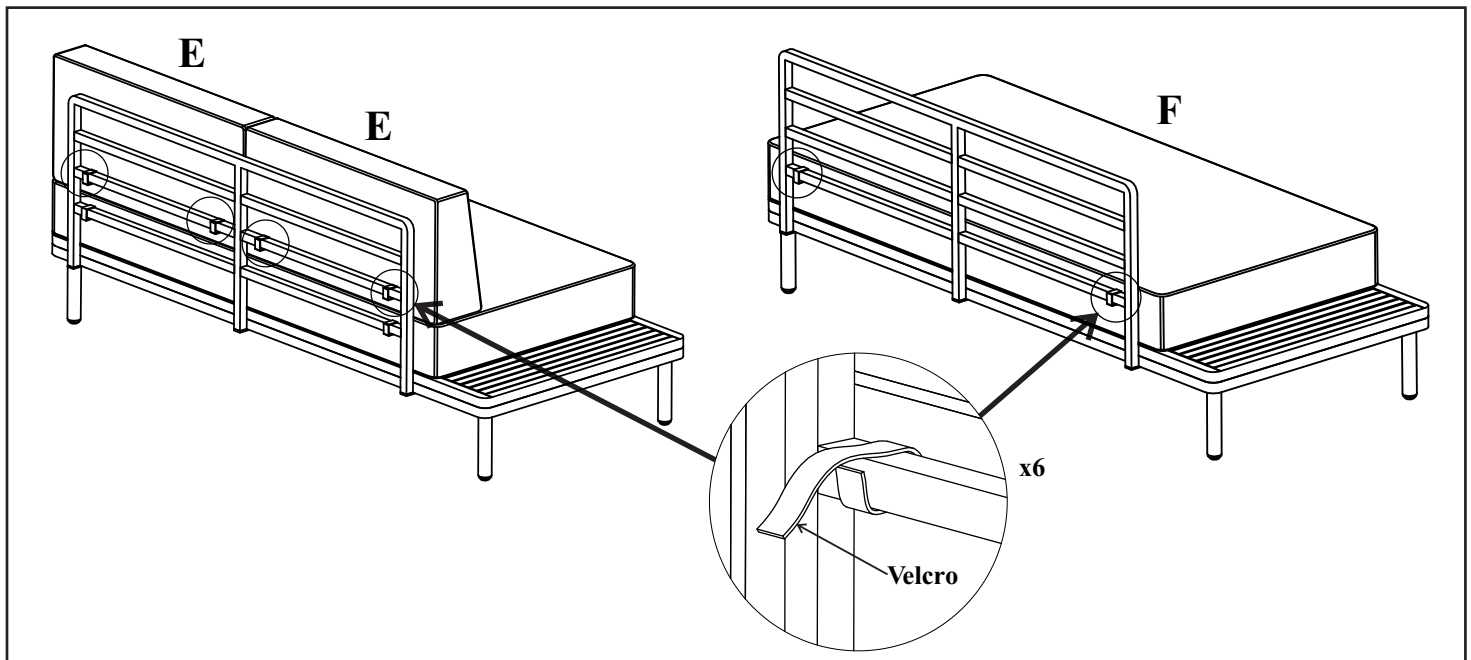
Assembly Steps

Step 3



Using a second person to assist you, place the assembly upright. Position the Backrest Frame (B) onto either side of the Seat Frame (A). Secure the Backrest Frame (B) by inserting Allen Bolts (H-1) through the top of the holes, ensuring it protrudes out the bottom, and thread the Spring Washers (H-3), Flat Washers (H-2) and Hexagonal Nuts (H-4), stacking the hardware in the order as shown. Engage all hardware first, then fully tighten using the provided Allen Key (T-1) and Wrench (T-2). **DO NOT OVER TIGHTEN.**

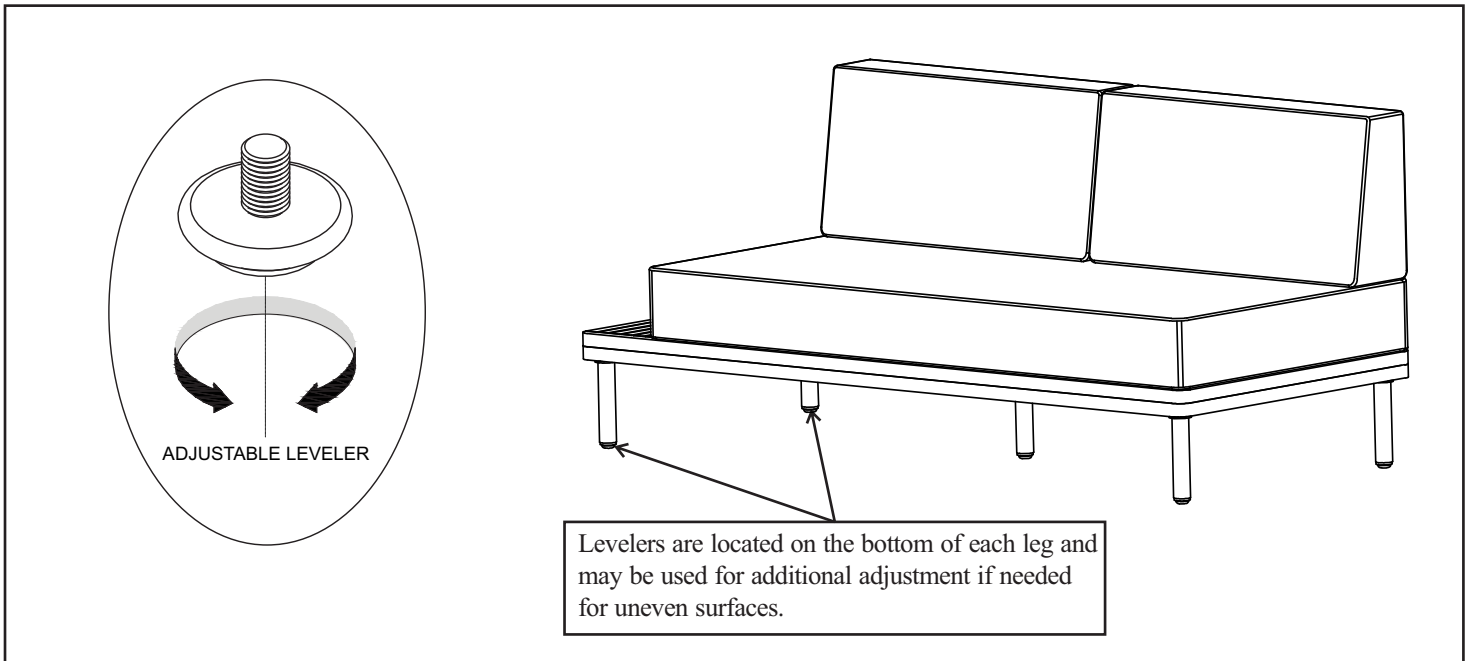
Step 4



Position Seat Cushion (F) into position as shown, ensuring the zipper faces down. Secure using the preattached Velcro straps to the bottom rail of the Backrest Frame (B). Position the Back Cushions (E) into position as shown, ensuring the zipper faces down and the angles surface faces to the front. Secure using the preattached Velcro straps to the mid rail of the Backrest Frame (B).

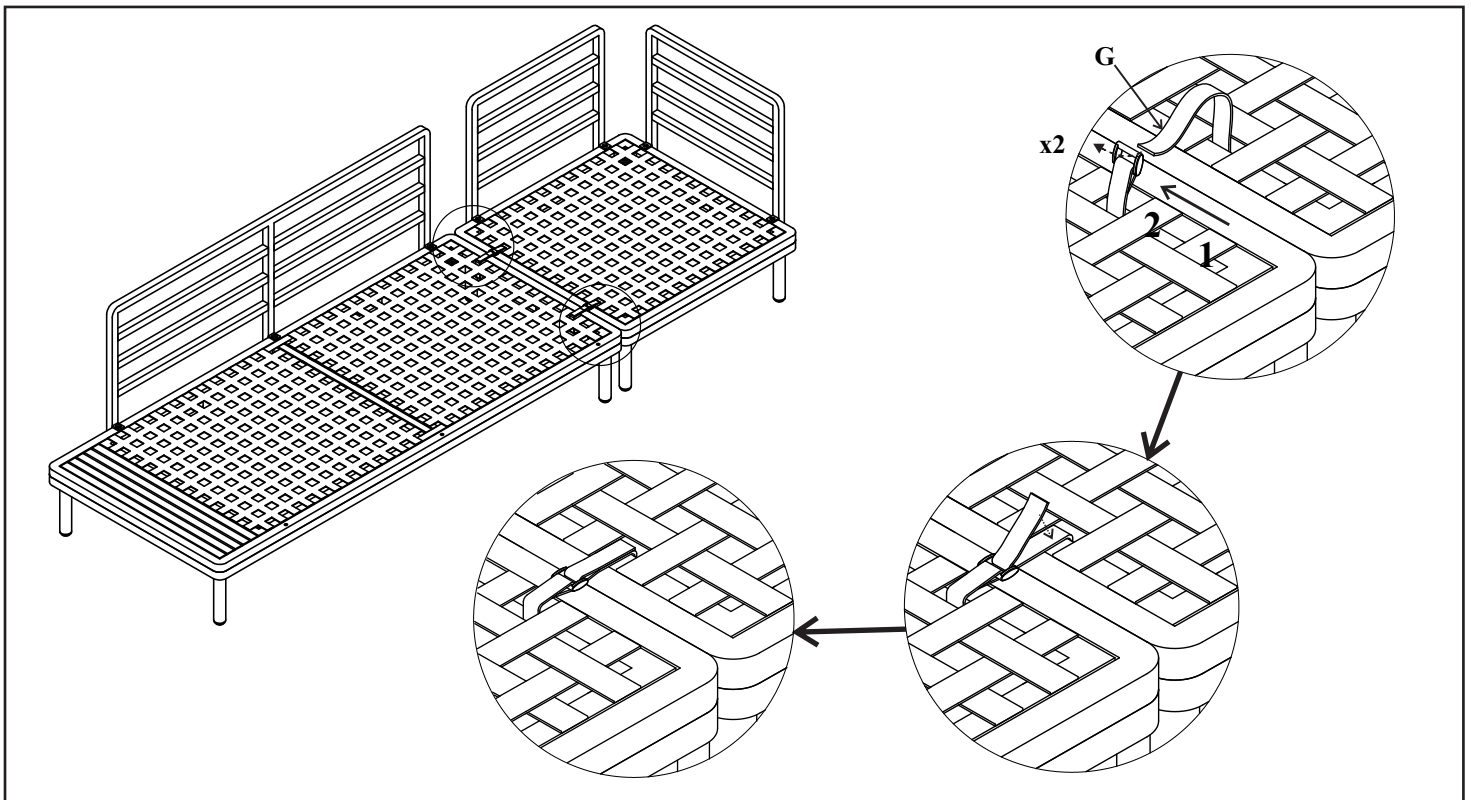
Assembly Steps

Step 5



Assembly is now complete and the product is ready for use. Adjustable levelers are located on the bottom of each leg and may be adjusted by turning outwards, counter-clockwise to help account for uneven surfaces. NOTE: Hardware may loosen over time. Periodically check that all connections remain tight and adjust as needed.

Step 6



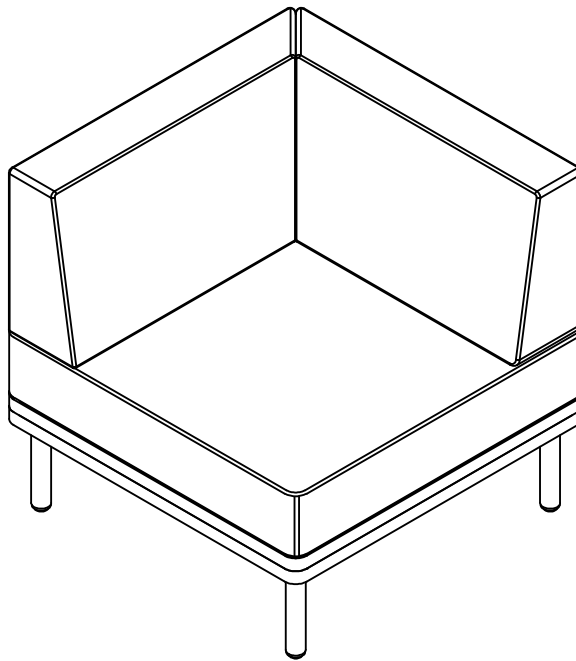
If joining with a partnering piece, place both assemblies side by side in your desired orientation. Secure together by threading two provided Strap Connectors (G) through the webbing and around each frame, one toward the front of the frames and one toward the back. Tightly secure.

WORLD MARKET®

Assembly Instructions

Andorra Corner

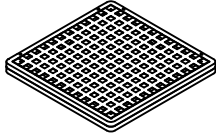
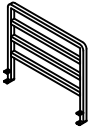

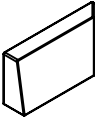
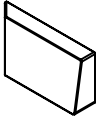
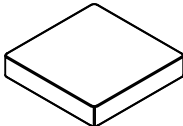

SKU 629622/629667








Thank you for your purchase. If you have any questions pertaining to the assembly of this furniture piece, please contact the nearest World Market store. If you are not near a store, please call our customer service call center toll free at 877-967-5362 for assistance.

ALL PRODUCTS SOLD AT WORLD MARKET ARE NOT
FOR COMMERCIAL USE AND ARE INTENDED FOR
RESIDENTIAL USE ONLY.


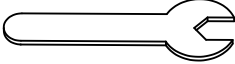
Component List

LABEL	PICTURE	DESCRIPTION	QTY
A		Seat Frame	1
B		Backrest Frame	2
C		Leg	4
D		Right Back Cushion	1
E		Left Back Cushion	1
F		Seat Cushion	1
G		Strap Connector	2

Hardware List

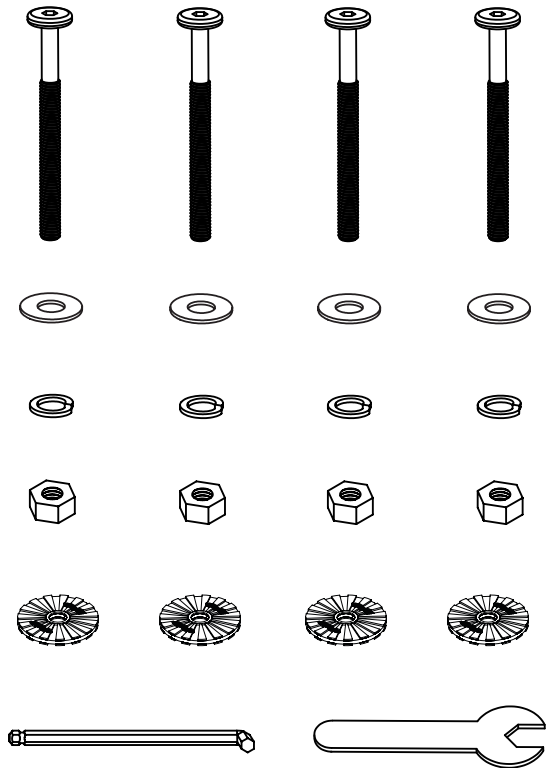
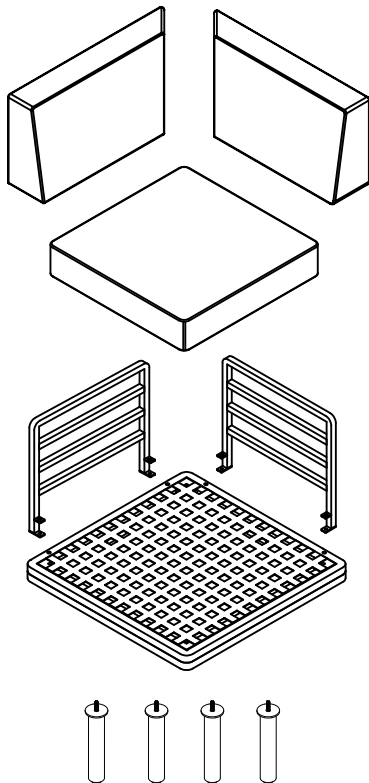
LABEL	PICTURE	DESCRIPTION	QTY
H-1		Allen Bolt (M8x80)mm	4
H-2		Flat Washer (M8x1.2)mm	4
H-3		Spring Washer M8	4
H-4		Hexagonal Nut M8	4
H-5		Plastic Flat Washer	4

Tool List

LABEL	PICTURE	DESCRIPTION	QTY
T-1		Allen Key	1
T-2		Wrench 13	1

Assembly Preparation

Before Beginning:



Unpack all hardware bags and components to ensure you have all parts. Take note of bolt hardware size differences and components that may have directional labels (Example: TOP or FRONT).



Read the assembly instructions, cover-to-cover. Save any **Care and Maintenance** instructions pages for after the assembly has been completed.



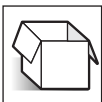
It is always recommended to have 2 adults on hand for assembly.



Do not assemble on hard, abrasive flooring or carpeted surfaces that can damage or get caught in the components during assembly.



Assemble on a clean non-marring surface (such as the product's packing foam).



Do not discard any packaging until the product has been fully assembled.



In case of missing parts, please contact your nearest World Market store or call our customer service call center at 1-877-967-5362.



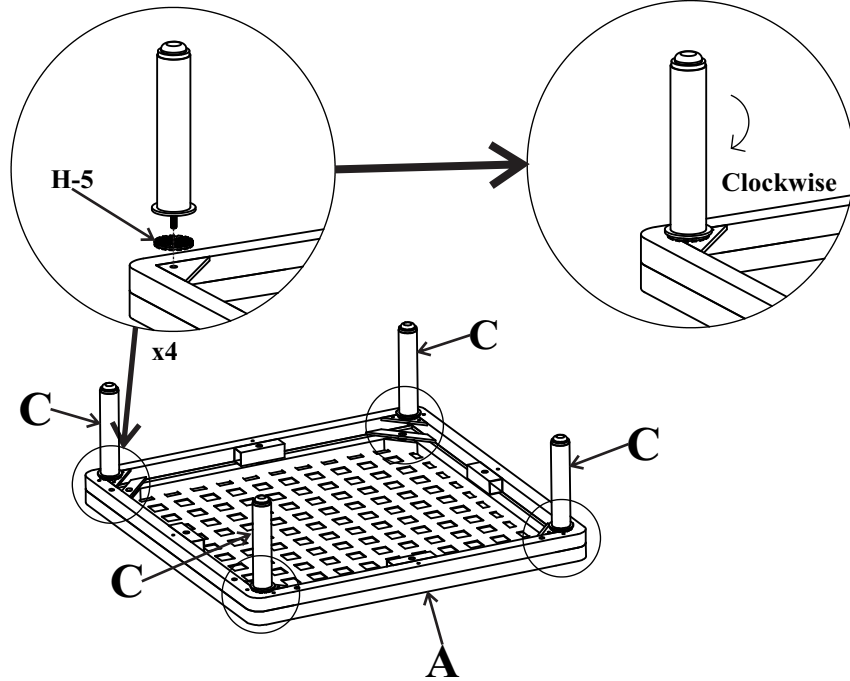
WARNING: Small parts are a choking hazard. Adult supervision is required before, during, and after assembly.

Assembly Steps

Step 1



(H-5) Plastic Flat Washer x 4



Using a second person to assist you, place Seat Frame (A) upside down onto a padded, non-marring surface.

Position the corner Legs (C) on Seat Frame (A) as shown.

Position the Plastic Flat Washers (H-5) between the legs and the seat frame and tighten by turning clockwise. DO NOT OVER TIGHTEN.

Step 2



(H-1) Allen Bolt x 4



(H-2) Flat Washer x 4



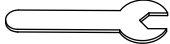
(H-3) Spring Washer x 4



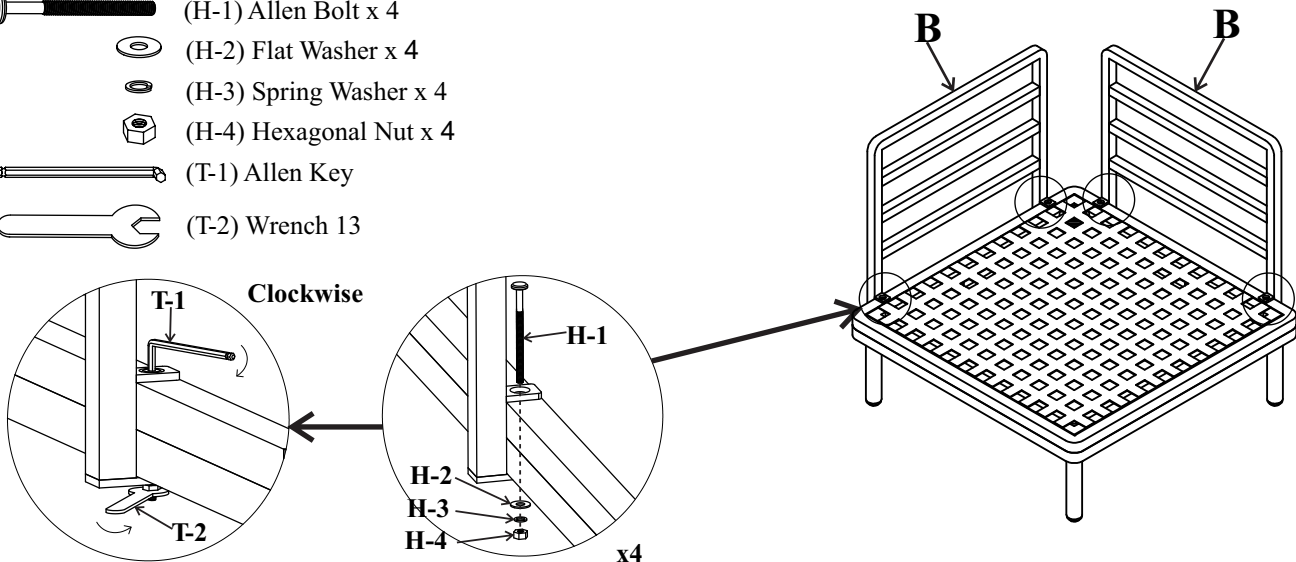
(H-4) Hexagonal Nut x 4



(T-1) Allen Key



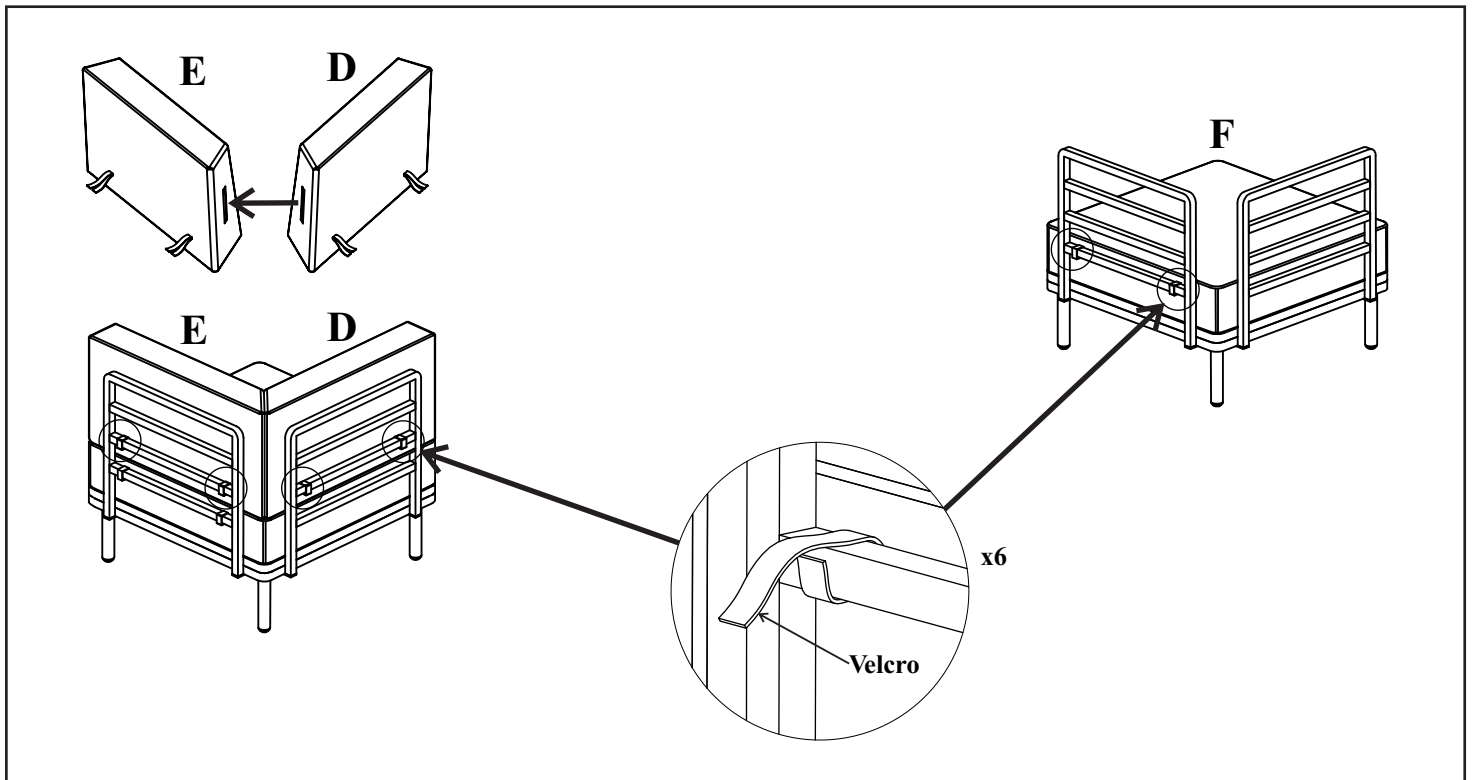
(T-2) Wrench 13



Using a second person to assist you, place the assembly upright. Position the Backrest Frame (B) onto either side of the Seat Frame (A). Secure the Backrest Frame (B) by inserting Allen Bolts (H-1) through the top of the holes, ensuring it protrudes out the bottom, and thread the Spring Washers (H-3), Flat Washers (H-2) and Hexagonal Nuts (H-4), stacking the hardware in the order as shown. Engage all hardware first, then fully tighten using the provided Allen Key (T-1) and Wrench (T-2). DO NOT OVER TIGHTEN.

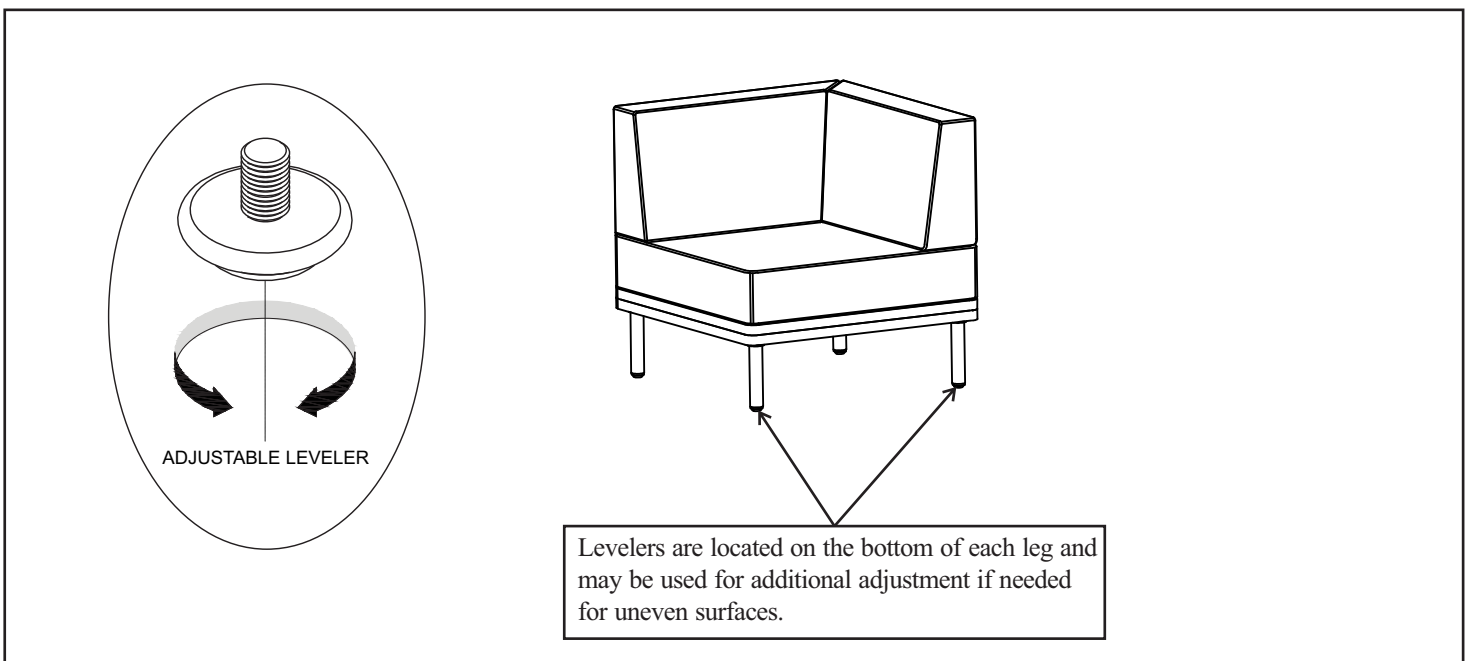
Assembly Steps

Step 3



Position Seat Cushion (F) into position as shown, ensuring the zipper faces down. Secure using the preattached Velcro straps to the bottom rail of the Backrest Frame (B). Position the Back Cushions (E), (D) into position as shown, ensuring the zipper faces down and the angles surface faces to the front. Secure using the preattached Velcro straps to the mid rail of the Backrest Frame (B).

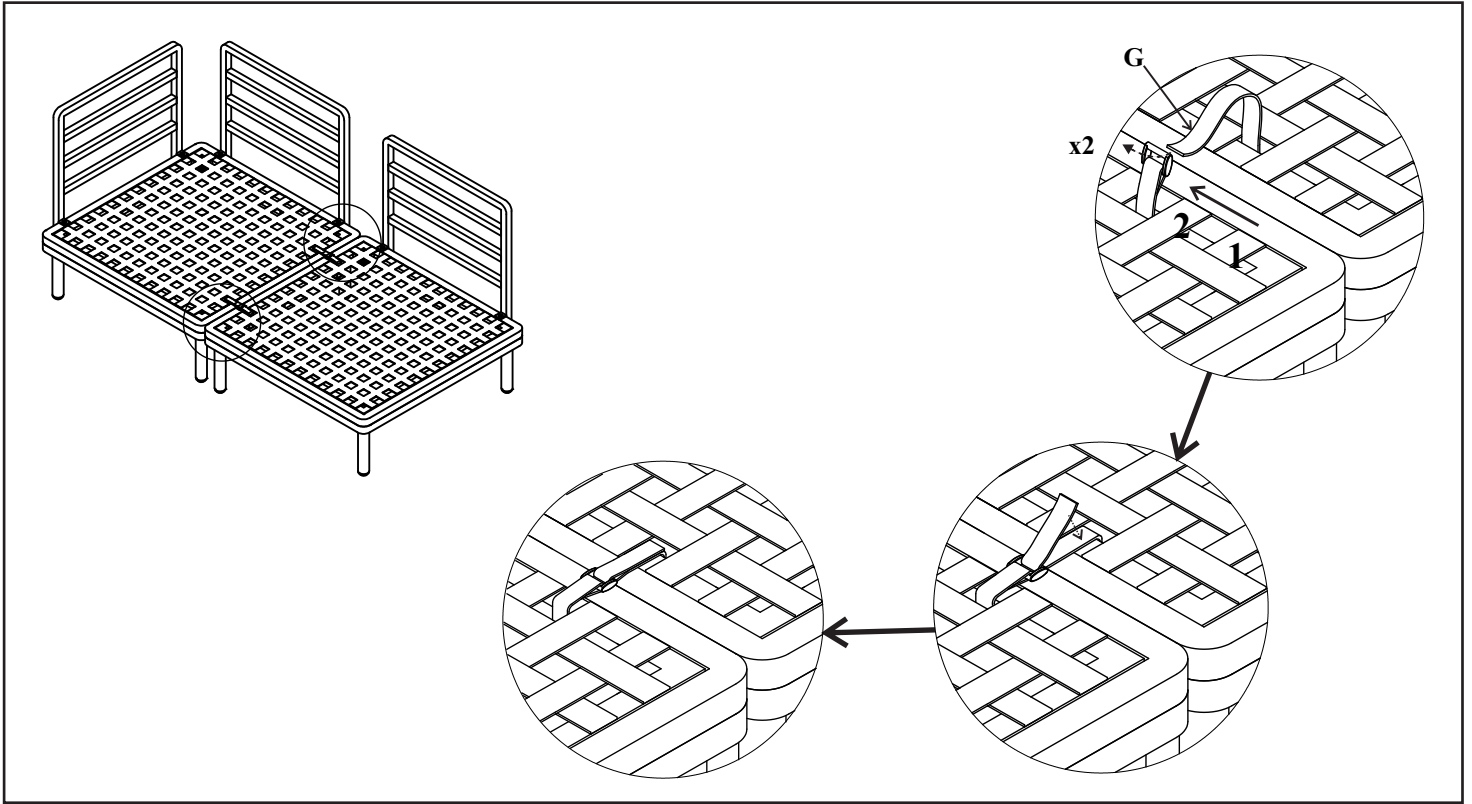
Step 4



Assembly is now complete and the product is ready for use. Adjustable levelers are located on the bottom of each leg and may be adjusted by turning outwards, counter-clockwise to help account for uneven surfaces. NOTE: Hardware may loosen over time. Periodically check that all connections remain tight and adjust as needed.

Assembly Steps

Step 5



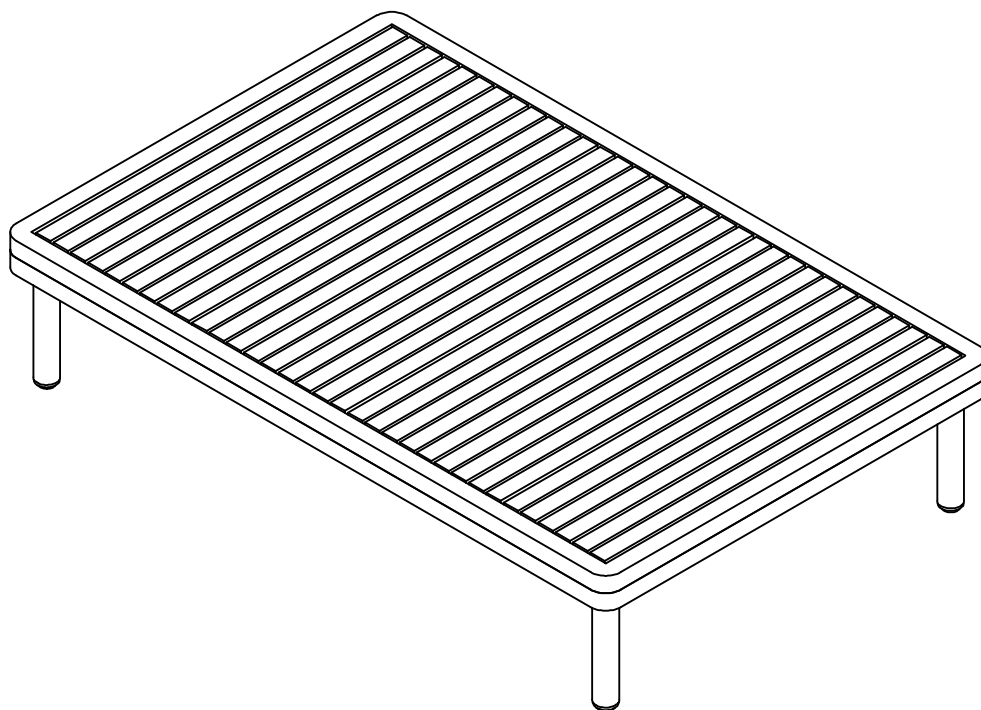
If joining with a partnering piece, place both assemblies side by side in your desired orientation. Secure together by threading two provided Strap Connectors (G) through the webbing and around each frame, one toward the front of the frames and one toward the back. Tightly secure.

WORLD MARKET®

Assembly Instructions

Andorra Rectangular Coffee Table

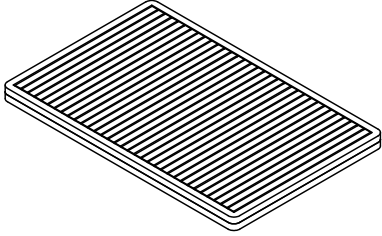

SKU 629625




Thank you for your purchase. If you have any questions pertaining to the assembly of this furniture piece, please contact the nearest World Market store. If you are not near a store, please call our customer service call center toll free at 877-967-5362 for assistance.

ALL PRODUCTS SOLD AT WORLD MARKET ARE NOT
FOR COMMERCIAL USE AND ARE INTENDED FOR
RESIDENTIAL USE ONLY.

Component List

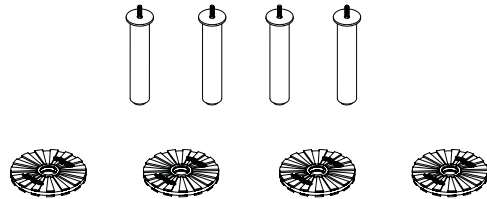
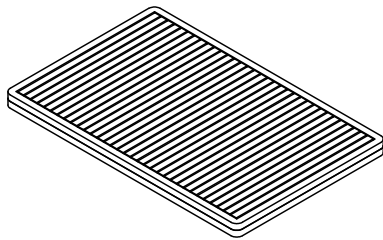
LABEL	PICTURE	DESCRIPTION	QTY
A		Tabletop	1
B		Leg	4

Hardware List

LABEL	PICTURE	DESCRIPTION	QTY
H-1		Plastic Flat Washer	4

Assembly Preparation

Before Beginning:



Unpack all hardware bags and components to ensure you have all parts. Take note of bolt hardware size differences and components that may have directional labels (Example: TOP or FRONT).



Read the assembly instructions, cover-to-cover. Save any **Care and Maintenance** instructions pages for after the assembly has been completed.



It is always recommended to have 2 adults on hand for assembly.



Do not assemble on hard, abrasive flooring or carpeted surfaces that can damage or get caught in the components during assembly.



Assemble on a clean non-marring surface (such as the product's packing foam).



Do not discard any packaging until the product has been fully assembled.



In case of missing parts, please contact your nearest World Market store or call our customer service call center at 1-877-967-5362.



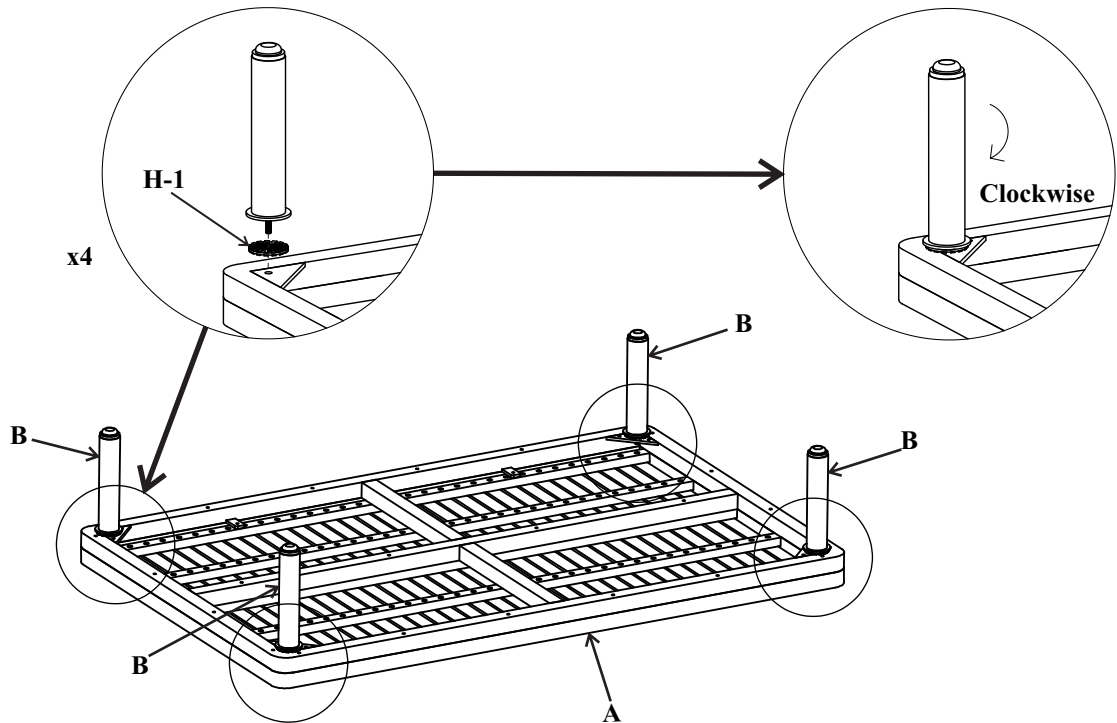
WARNING: Small parts are a choking hazard. Adult supervision is required before, during, and after assembly.

Assembly Steps

Step 1

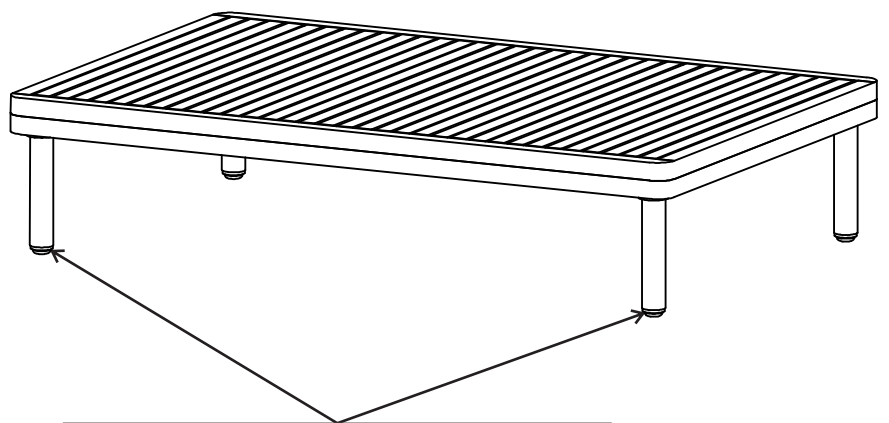
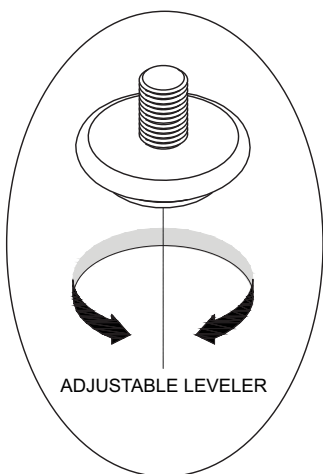


(H-1) Plastic Flat Washer x 4



Using a second person to assist you, place Tabletop (A) upside down onto a padded, non-marring surface. Position the Legs (B) on Tabletop (A) as shown. Position the Plastic Flat Washers (H-1) between the legs and the Tabletop (A) and tighten by turning clockwise. **DO NOT OVER TIGHTEN.**

Step 2



Levelers are located on the bottom of each leg and may be used for additional adjustment if needed for uneven surfaces.

Assembly is now complete and the product is ready for use. Adjustable levelers are located on the bottom of each leg and may be adjusted by turning outwards, counter-clockwise to help account for uneven surfaces. **NOTE:** Hardware may loosen over time. Periodically check that all connections remain tight and adjust as needed.

WORLD MARKET®

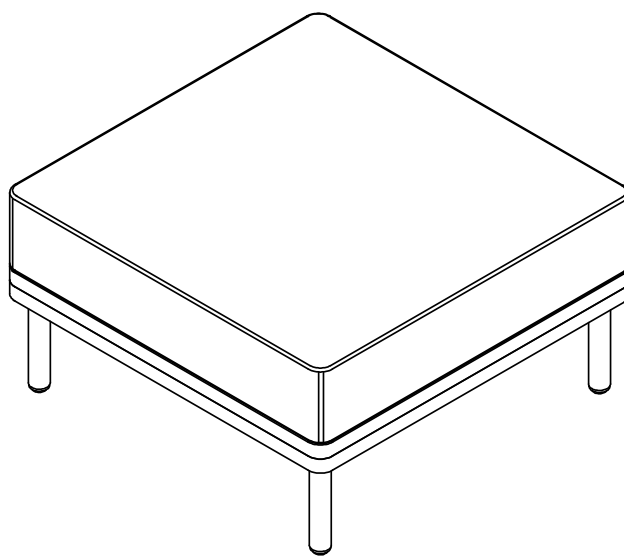
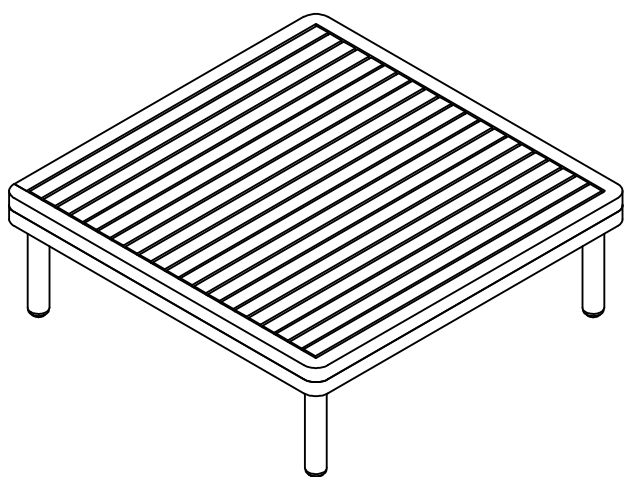
Assembly Instructions

Andorra Ottoman Cushion

(Ottoman sold separately)

SKU 629849/629850

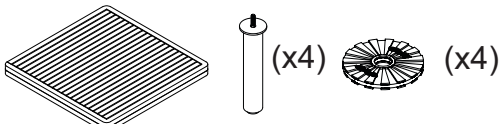
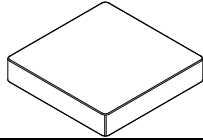
(table frame sold separately)



Thank you for your purchase. If you have any questions pertaining to the assembly of this furniture piece, please contact the nearest World Market store. If you are not near a store, please call our customer service call center toll free at 877-967-5362 for assistance.

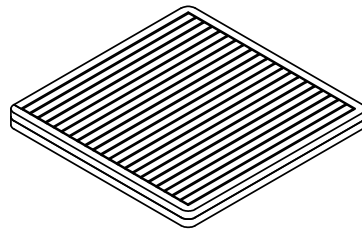
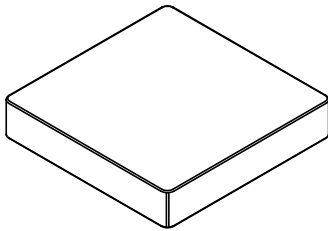
ALL PRODUCTS SOLD AT WORLD MARKET ARE NOT
FOR COMMERCIAL USE AND ARE INTENDED FOR
RESIDENTIAL USE ONLY.

Component List

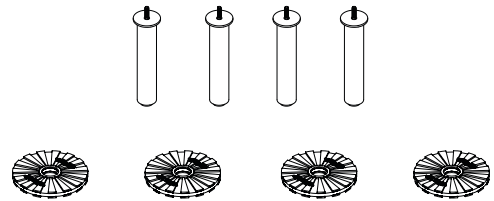
LABEL	PICTURE	DESCRIPTION	QTY
A	 (x4)	Table Frame Assembly (sold separately)	1
B		Cushion	1

Assembly Preparation

Before Beginning:



(sold separately)



(sold separately)



Unpack all hardware bags and components to ensure you have all parts. Take note of bolt hardware size differences and components that may have directional labels (Example: TOP or FRONT).



Read the assembly instructions, cover-to-cover. Save any **Care and Maintenance** instructions pages for after the assembly has been completed.



It is always recommended to have 2 adults on hand for assembly.



Do not assemble on hard, abrasive flooring or carpeted surfaces that can damage or get caught in the components during assembly.



Assemble on a clean non-marring surface (such as the product's packing foam).



Do not discard any packaging until the product has been fully assembled.



In case of missing parts, please contact your nearest World Market store or call our customer service call center at 1-877-967-5362.

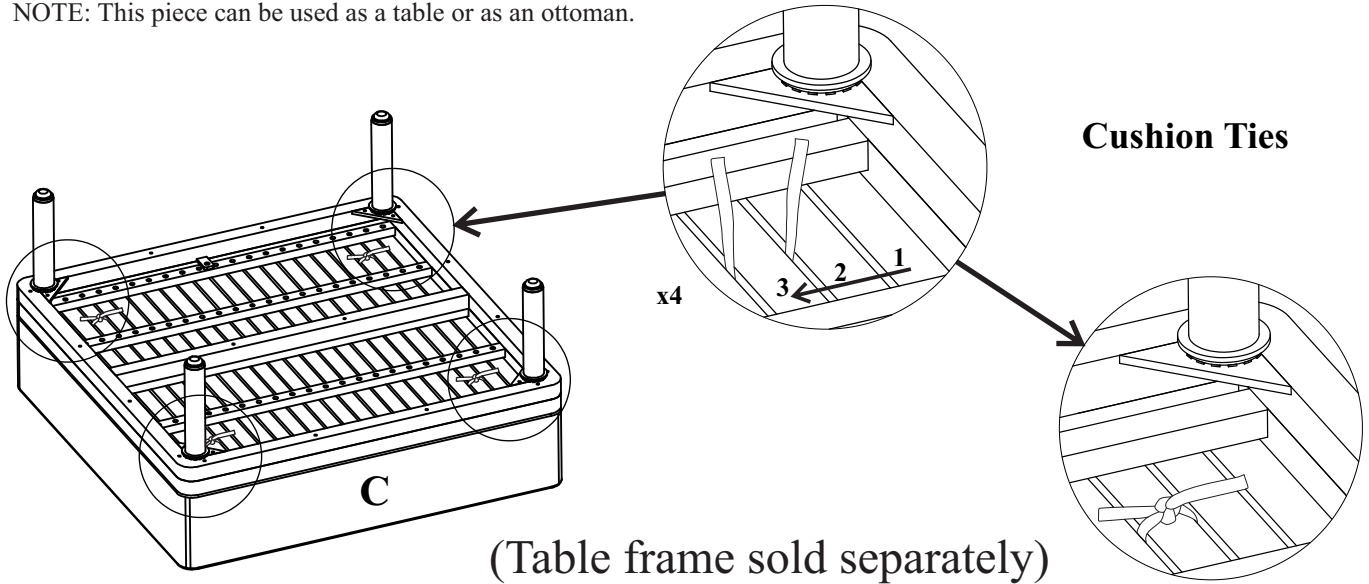


WARNING: Small parts are a choking hazard. Adult supervision is required before, during, and after assembly.

Assembly Steps

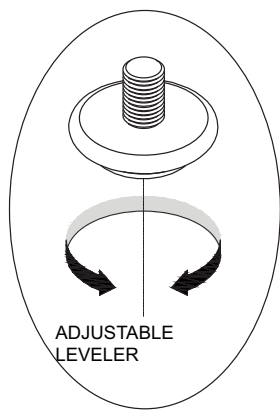
Step 1

NOTE: This piece can be used as a table or as an ottoman.

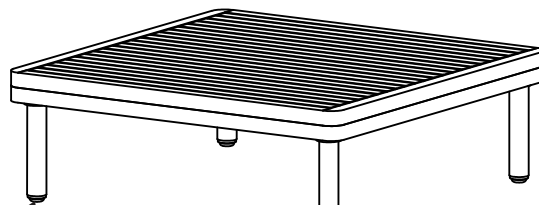


Place the Cushion (B) upside down onto a padded, non-marring surface, ensuring the cushion ties are facing up. Carefully place the Table Frame Assembly (A) upside down onto the Cushion (B). Thread the cushion ties through the slats and tie them to slat number 3, counting from the perimeter. This will ensure the Cushions (B) is centered. Repeat for all four ties.

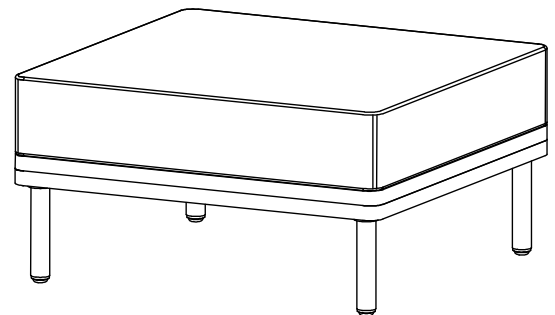
Step 2



Levelers are located on the bottom of each leg and may be used for additional adjustment if needed for uneven surfaces.



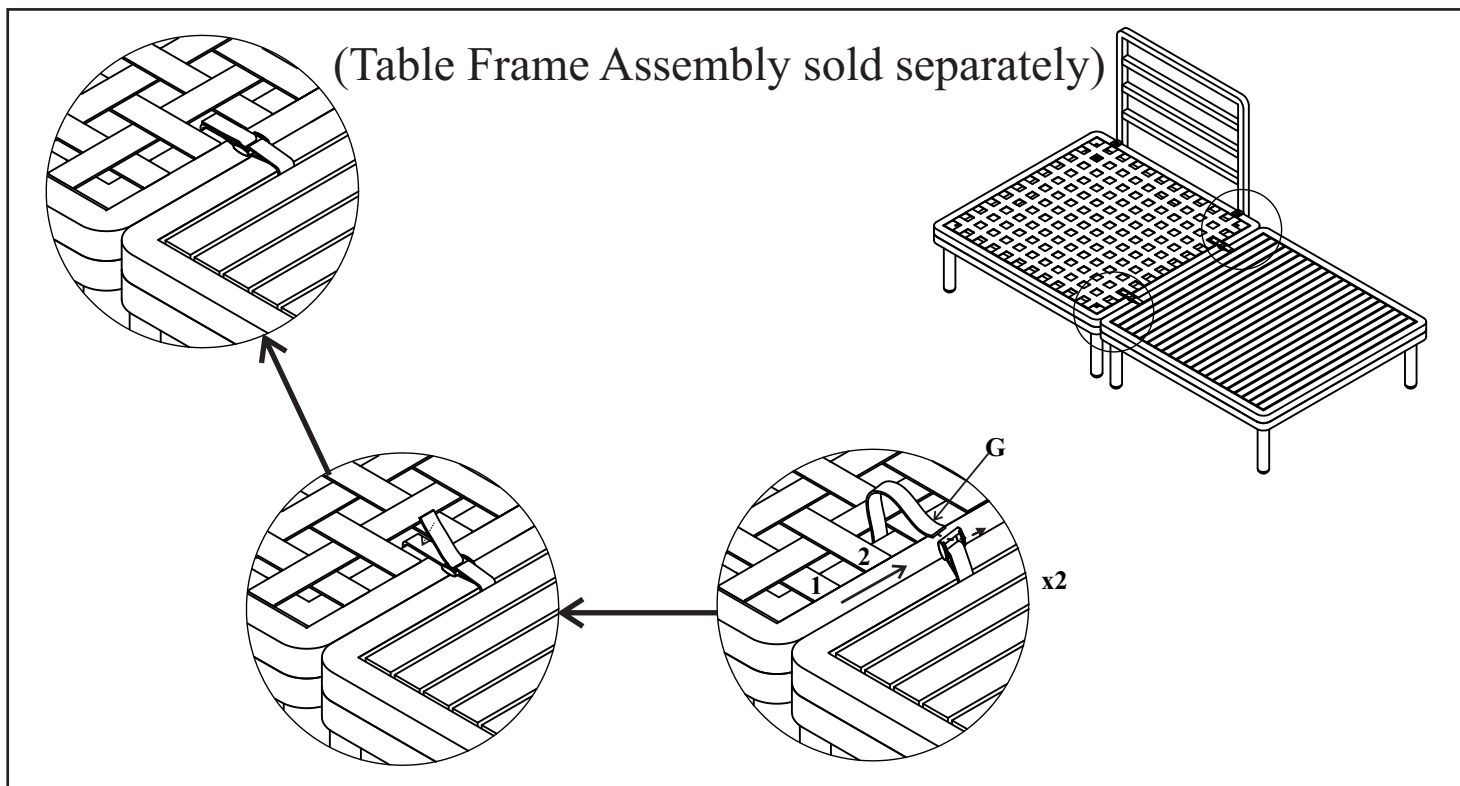
NOTE: This piece can be used as a table or as an ottoman. Table Frame Assembly (A) is sold separately.



Assembly is now complete and the product is ready for use. Adjustable levelers are located on the bottom of each leg and may be adjusted by turning outwards, counter-clockwise to help account for uneven surfaces. NOTE: Hardware may loosen over time. Periodically check that all connections remain tight and adjust as needed.

Assembly Steps

Step 3



If joining with with a partnering piece, place both assemblies side by side in your desired orientation. Secure together by threading two provided Strap Connectors (not included) through the webbing and around each frame, one toward the front of the frames and one toward the back. Tightly secure. This product is designed to be used as an ottoman (with the Cushion [B]) or as a table (without the Cushion [B]).

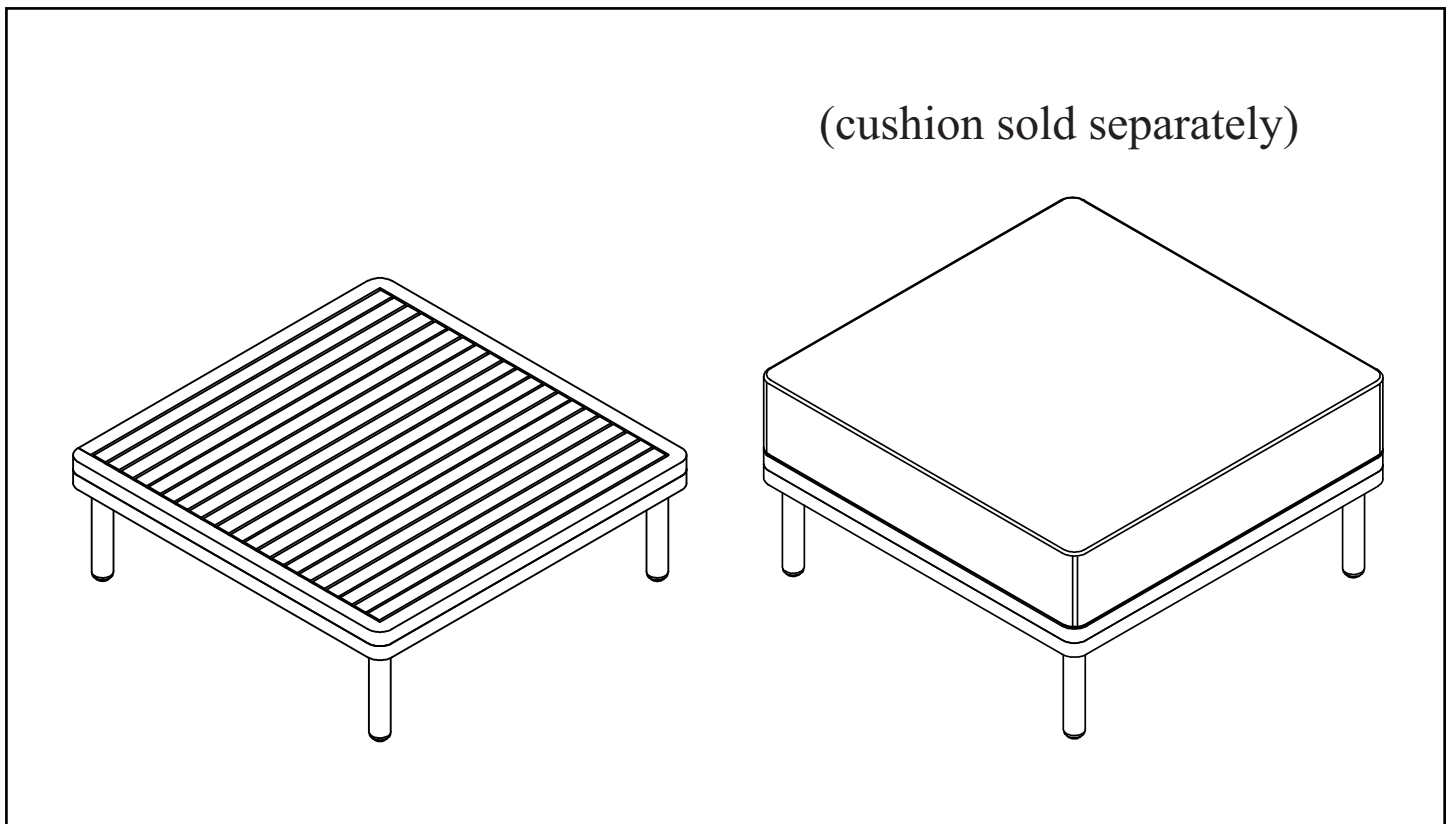
WORLD MARKET®

Assembly Instructions

Andorra Ottoman/Coffee Table

(cushion sold separately)

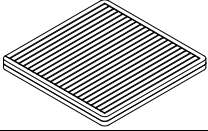
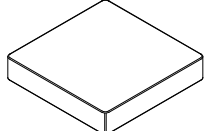

SKU 629851




Thank you for your purchase. If you have any questions pertaining to the assembly of this furniture piece, please contact the nearest World Market store. If you are not near a store, please call our customer service call center toll free at 877-967-5362 for assistance.

ALL PRODUCTS SOLD AT WORLD MARKET ARE NOT
FOR COMMERCIAL USE AND ARE INTENDED FOR
RESIDENTIAL USE ONLY.

Component List

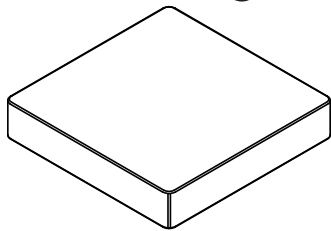
LABEL	PICTURE	DESCRIPTION	QTY
A		Tabletop	1
		Cushion (sold separately)	1
B		Leg	4

Hardware List

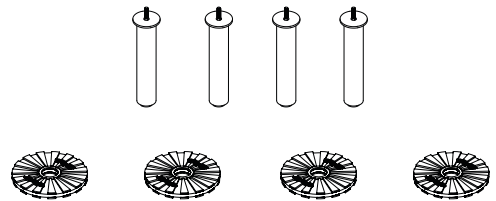
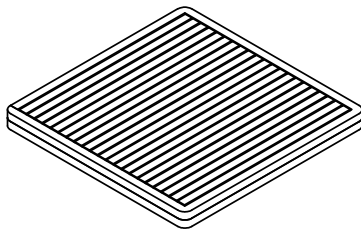
LABEL	PICTURE	DESCRIPTION	QTY
H-1		Plastic Flat Washer	4

Assembly Preparation

Before Beginning:



(sold separately)



Unpack all hardware bags and components to ensure you have all parts. Take note of bolt hardware size differences and components that may have directional labels (Example: TOP or FRONT).



Read the assembly instructions, cover-to-cover. Save any **Care and Maintenance** instructions pages for after the assembly has been completed.



It is always recommended to have 2 adults on hand for assembly.



Do not assemble on hard, abrasive flooring or carpeted surfaces that can damage or get caught in the components during assembly.



Assemble on a clean non-marring surface (such as the product's packing foam).



Do not discard any packaging until the product has been fully assembled.



In case of missing parts, please contact your nearest World Market store or call our customer service call center at call 1-877-967-5362.



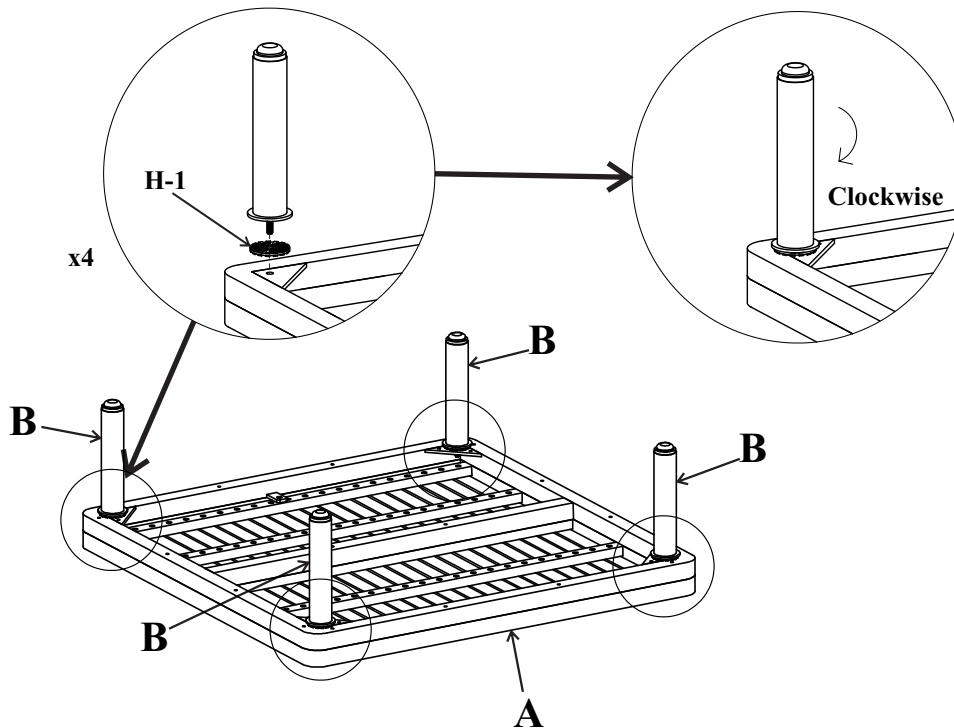
WARNING: Small parts are a choking hazard. Adult supervision is required before, during, and after assembly.

Assembly Steps

Step 1



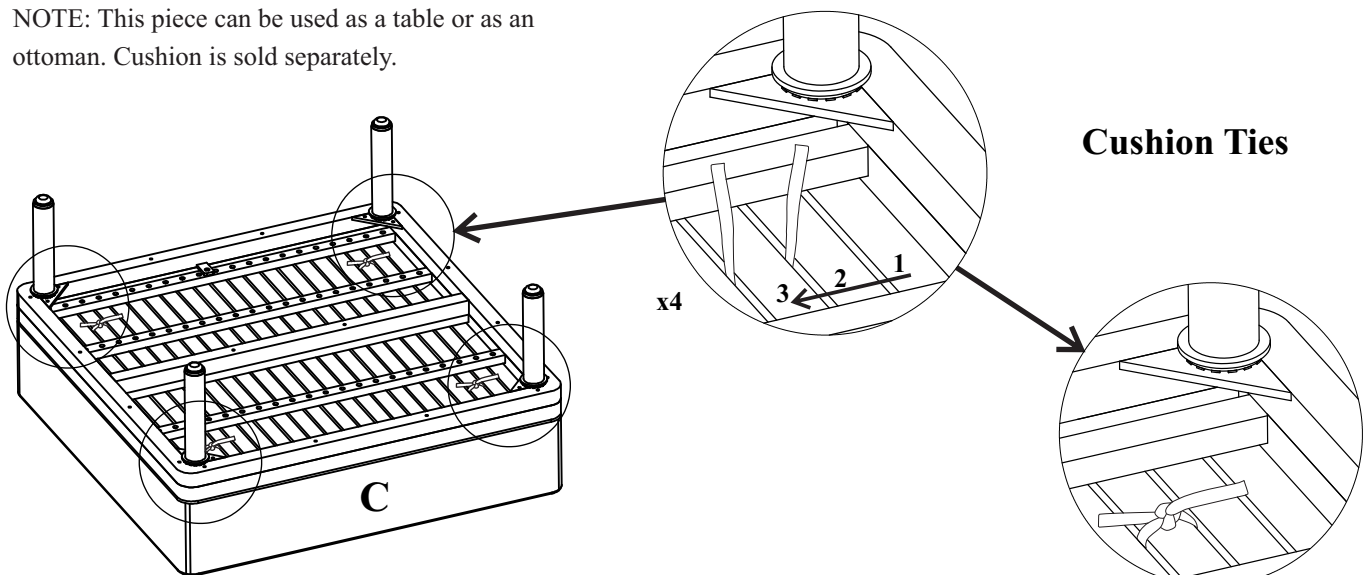
(H-1) Plastic Flat Washer x 4



Using a second person to assist you, place Tabletop (A) upside down onto a padded, non-marring surface. Position the Legs (B) on Tabletop (A) as shown. Position the Plastic Flat Washers (H-1) between the legs and the Tabletop (A) and tighten by turning clockwise. **DO NOT OVER TIGHTEN.**

Step 2

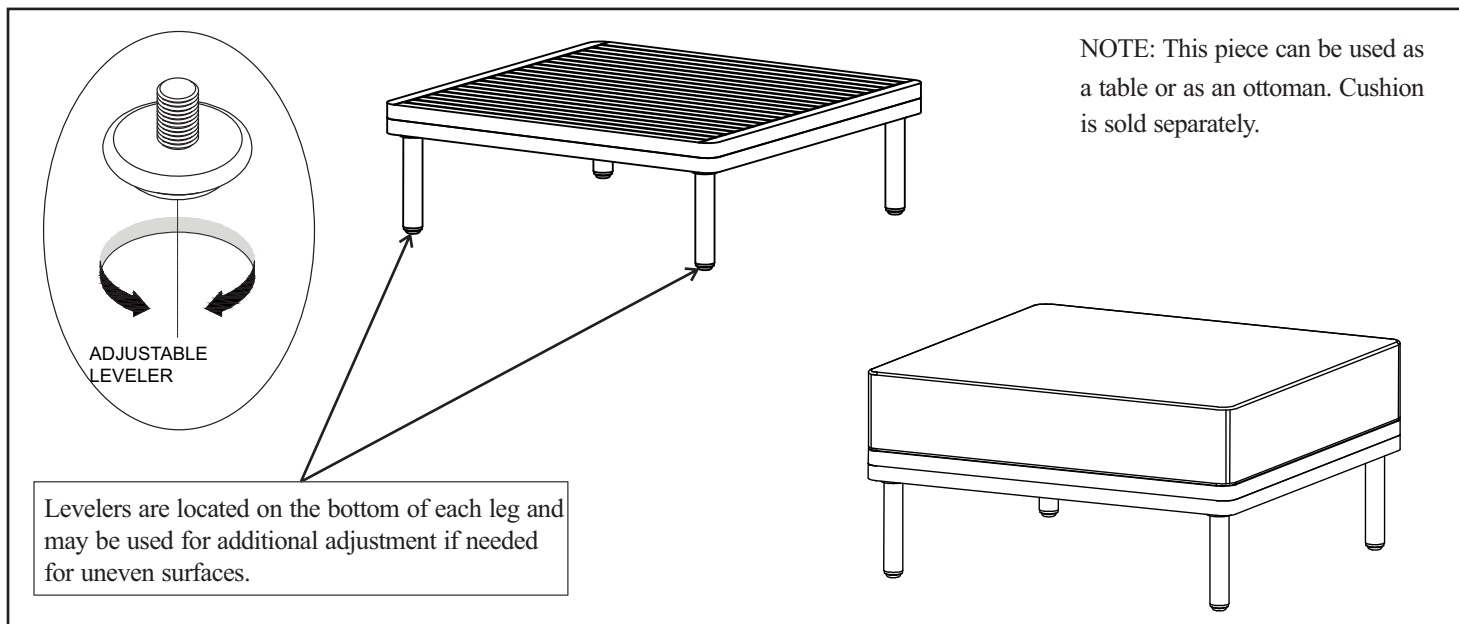
NOTE: This piece can be used as a table or as an ottoman. Cushion is sold separately.



Place the Cushion (C; sold separately) upside down onto a padded, non-marring surface, ensuring the cushion ties are facing up. Carefully place the assembly from the previous step upside down onto the Cushion (C; sold separately). Thread the cushion ties through the slats and tie them to slat number 3, counting from the perimeter. This will ensure the Cushions (C; sold separately) is centered. Repeat for all four ties.

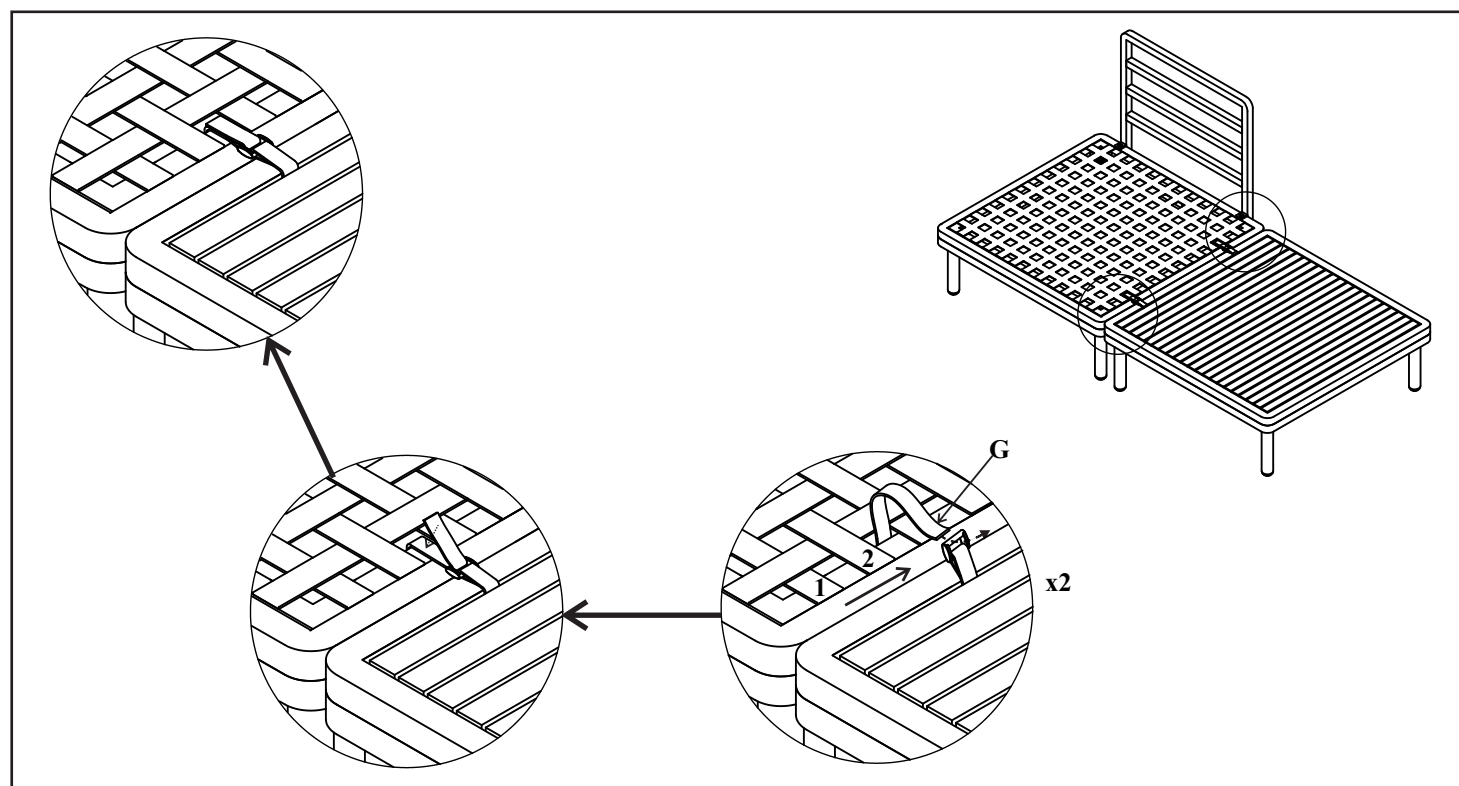
Assembly Steps

Step 3



Assembly is now complete and the product is ready for use. Cushion (C) is sold separately. Adjustable levelers are located on the bottom of each leg and may be adjusted by turning outwards, counter-clockwise to help account for uneven surfaces. NOTE: Hardware may loosen over time. Periodically check that all connections remain tight and adjust as needed.

Step 4



If joining with with a partnering piece, place both assemblies side by side in your desired orientation. Secure together by threading two provided Strap Connectors (G; not included) through the webbing and around each frame, one toward the front of the frames and one toward the back. Tightly secure. This product is designed to be used as an ottoman (with the Cushion [C]) or as a table (without the Cushion [C]).

Outdoor Warnings



All products sold at World Market are not for commercial use and are intended for residential use only.



IMPORTANT: ALWAYS store furniture or use appropriate furniture covers during cold or inclement weather or during periods of non-use.

Outdoor Care & Maintenance



DO NOT put hot items directly on furniture surface.



DO NOT clean furniture with harsh cleansers or polish.



DO NOT place furniture near outdoor exhaust vents.



DO NOT write on furniture without a padded barrier to protect the surface.

For Outdoor Products with Upholstery



Dust and pick up spills using a clean, non-colored, lint-free dry cloth.



Treat any spills or stains immediately. **DO NOT** let it soak into the fabric.



Solid and liquid stains can be spot cleaned using a clean white cotton cloth. We also recommend our Outdoor Cushion Cleaner (sold separately). Scan the QR code to the right of this message.



Dab the stain with light, even pressure. **DO NOT** rub the stain when spot cleaning.



For Outdoor Products with Wood

CAUTION: As with any wood, the color may fade when left in direct sunlight or inclement weather. Minor cracking may occur with age. These are naturally occurring features of wood and do not affect product performance.

We recommend using our Outdoor Wood Furniture Finish (sold separately) to help preserve and protect the wood and finish. Scan the QR code above for more information.



SCAN HERE FOR
OUTDOOR FURNITURE FINISH



WORLD MARKET LIMITED ONE-YEAR WARRANTY – Outdoor Furniture

For your customer satisfaction, this product carries a LIMITED ONE-YEAR WARRANTY from the date of delivery. This limited warranty only applies to World Market brand furniture, and not to other furniture brands sold on World Market's website.

Where applicable, the limited warranty provides coverage for:

1. **Manufacturing, Material and Workmanship Defects:** Includes defects related to core frame/structure substrates (wood, metal and stone/tile); complete breakage of hardwood; cracking, splitting or lifting of wood veneer or laminated top surfaces caused by process failure; broken welds or improperly coated metal frame components (powder coating or painted); outdoor fabric, nautical rope and woven Textilene® defects including tears, misprints, fraying, crease marks, skip stitches or open seams; synthetic resin wicker breakage or unraveling; and other component failures that are a direct result of manufacturing or workmanship defects.
2. **Cushions:** Loss of resiliency from a material breakdown of foam or fiber filling, which should not be confused with softening or settling during normal use.
3. **Outdoor Furniture Components (Hardware & Mechanisms):** Includes defects to pre-installed components or hardware provided to the customer for assembly such as metal bases, swivel plate mechanisms; for umbrellas, canopy crank mechanism, spring loaded pole pins (for adjusting height); and other components such as bent or stripped threaded leg posts and adjustable levelers. Coverage also includes protection against rust and corrosion on hardware. For missing, damaged, corroded, or misplaced hardware components such as bolts or washers, please contact Customer Service at: 877-967-5362.

This LIMITED ONE-YEAR WARRANTY does NOT cover:

1. Damage due to mishandling during transportation from store or transportation without original protective packaging.
2. Abuse, negligence (product misuse), improper storage, stacking or wear and tear that may result in or from:
 - a. **Wood & Veneer:** Mishandling, prolonged exposure to moisture, peeling or discoloration caused by exposure to moisture or excessive sunlight, heat; splintered, dented or nicked panels, legs or component edges or paint/finish blemishes; or treatment with corrosive chemicals (dyes, inks, paints or harsh cleaning products). **NOTE: As with any outdoor rated wood, the color may fade if left in direct sunlight of inclement weather. Minor cracking may occur with age. These are naturally occurring features of wood and do not affect product performance.**
 - b. **Fabric (Including Sunbrella® Fabrics), Rope, Textilene®, All-Weather Wicker:** cuts, punctures, tears, burns, pet damage, or treatment with corrosive chemicals (dyes, inks, paints or harsh cleaning products), exposure to fire, high heat, water, or prolonged exposure to direct sunlight that may cause splitting, peeling, fraying or discoloration with time.
 - c. **Foam (Cushions):** Flattening, relaxing or settling/softening of foam components that comes with normal use.
 - d. **Hardware Components:** improper installation or misuse/substitution of hardware components not defined in the Assembly Instructions for the product (if applicable)
3. Damage due to prolonged environmental/inclement weather exposure such as direct sunlight, extreme heat, water or extreme humidity, strong winds, any bright light source (natural or artificial), chlorine or saltwater pools, or any environment that the product is not intended for. We HIGHLY recommend storing furniture, umbrellas and cushions with outdoor rated furniture covers and out of direct exposure during the winter or inclement weather events.
4. This warranty is applicable for outdoor furniture products purchased for residential use only.

For additional information on returns, please visit: <https://www.worldmarket.com/category/customer-service/returns.do>

All products sold at World Market are NOT FOR COMMERCIAL USE and are intended for residential use only. Products purchased for commercial use will VOID all warranty provisions as listed above.

Any claims under this LIMITED ONE-YEAR WARRANTY are valid and applicable only as to the original purchaser and must be accompanied by proof of purchase. Warranty claims should be submitted to a World Market store or through World Market Customer Service Call Center, Toll Free at 877-967-5362.

For valid warranty claims, World Market will repair or replace the product, or offer a full or partial credit, in the sole discretion of World Market. This LIMITED ONE-YEAR WARRANTY gives you specific legal rights and you may also have other rights which vary from state to state.

(OUTDOOR FURNITURE 1LW_v1.4_071423)